



Air Fed Vest Climate Control AC1000DC/CT30DC User Manual



AC1000DC



*Vest purchased separately



CT30DC

For use with Bullard's DC70 cooling vest where supplied-air respiratory protection is not required.

Includes: AC1000DC or CT30DC cool tube, CH1000 connector hose, heat shield, 4612 nylon belt and HS Heat Shield.

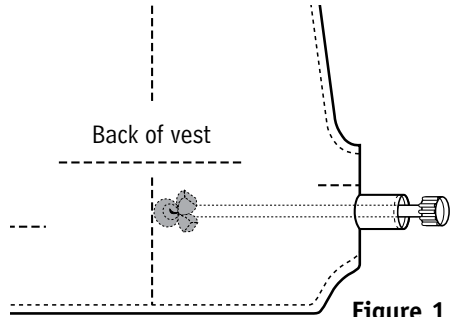
NOTE: The DC70 cooling vest must be purchased separately.

Function: The AC1000DC and CT30DC cool tubes provides a continuous flow of cool air to Bullard's DC70 cooling vest. It is for use where supplied-air respiratory protection is NOT required.

BEFORE USING THIS PRODUCT, READ AND FOLLOW ALL DIRECTIONS AND WARNINGS.

Assembling the Cooling Vest

1. Insert the muffler end of the CH1000 cooling vest connector hose well into the air entry sleeve of the vest leaving 2" of the connector hose exposed (Figure 1).
2. Install the small nylon clamp over the air entry sleeve and cooling vest connector hose. Engage the clamp locks and squeeze until tight (Figure 2).

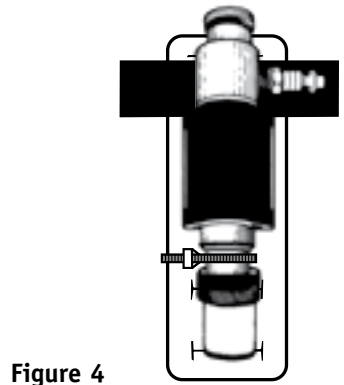
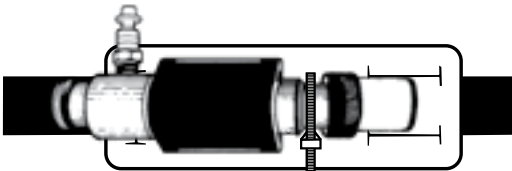
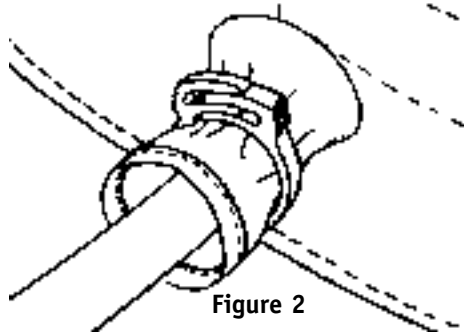


Heat Shield Instructions

Assembly

The heat shield is designed to work with the standard nylon belt (part # 4612) supplied with the climate control devices, or the 36501 vinyl belt which may be ordered separately.

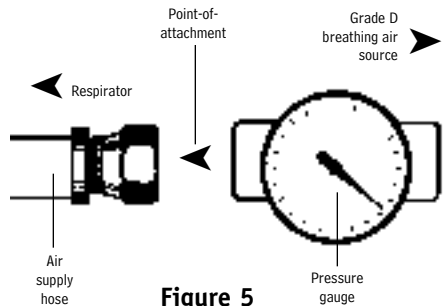
1. Determine whether the climate control device will be worn vertically or horizontally on the waist.
2. If the device will be worn in the horizontal position, align the tube on the heat shield as shown in Figure 3. If the tube will be worn in the vertical position, align the tube on the heat shield as shown in Figure 4.
3. Lace the belt supplied with your climate control device through both the heat shield slots and the climate control belt bracket slots.
4. Use plastic zip tie to secure the climate control unit to the heat shield.



Air Fed Vest Climate Control AC1000DC/CT30DC User Manual

Donning the AC1000DC/ CT30DC and Cooling Vest

1. Screw the end of the CH1000 cooling vest connector hose to the cool tube (Figure 5).
2. Don the belt and cool tube. Adjust the belt comfortably, but loosely, around your waist, positioning the cool tube on your right-hand side.
3. Don the vest. Use the Velcro® closure strips to adjust loosely for size. Note: The vest should mount OVER the belt with the cool tube unit settled in the "V" notch of the vest found on the right-hand side (Figure 5).
4. With the Bullard air-supply hose connected to the air source, and with air flowing into the hose, connect the quick-disconnect coupler on the air supply hose to the quick-disconnect nipple on the cool tube.
5. Adjust the air pressure to the suggested pressure range at the point-of-attachment (Figure 5). See the suggested air pressure table below.



SUGGESTED AIR PRESSURE TABLE				
Air Control Assembly	Air Supply	Hose Length (feet)	Pressure Range (psig air)	Maximum Number of Hose Sections
AC1000DC	V10	25-300	80-95	5
	V5	25	55-65	1
		50	70-86	2
CT30DC	V10	25-300	80-95	5
	V5	25	55-65	1
		50	70-86	2

Air Supply Hose

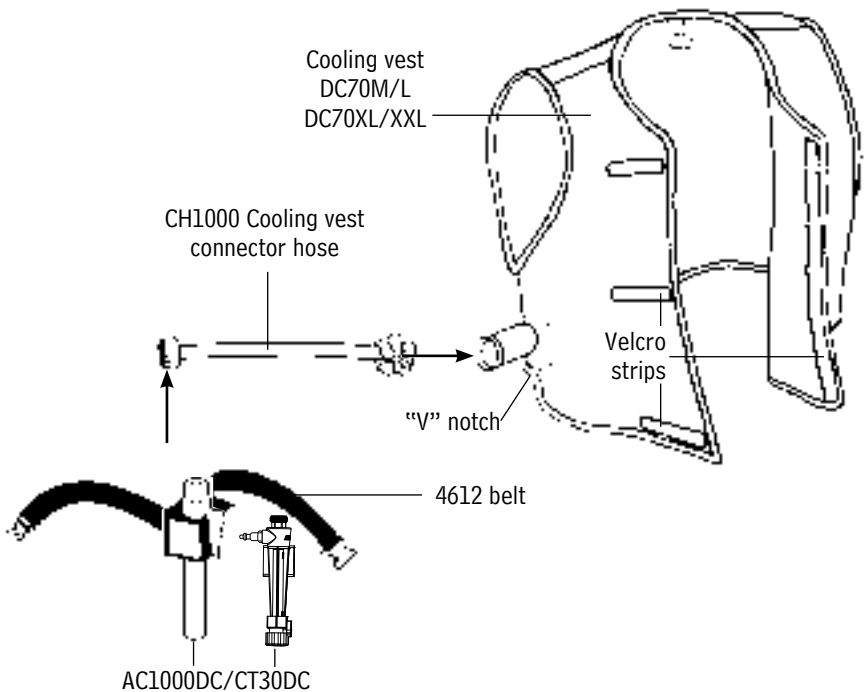
To maintain proper cooling to the vest, use Bullard V10 Series airline hose(s) in lengths of 25 ft. to 300 ft. or Bullard V5 Series airline hose in lengths of 25 ft. and 50 ft. between the cool tube's quick-disconnect fitting and the point-of-attachment to the air supply. Bullard V11 hose-to-hose adaptors may be used to connect V10 hose lengths together. Secure the connections until they are wrench tight.

NOTE: COMPRESSED AIR MUST BE DRY ENOUGH TO PREVENT ICE BUILDUP IN COLD AIRSTREAM. ICE COULD HAMPER THE PERFORMANCE OF THE COOLING SYSTEM.

Operating the AC1000DC/CT30DC

9. To obtain cooler air, turn the air temperature knob clockwise. If the knob is fully closed, the vest will receive air at ambient temperature. Maximum cooling is attained when knob is fully opened and when there is maximum airflow out of the exhaust port of the cool tube.
10. When finished working, disconnect the air supply hose using the quick-disconnect coupler attached to the cool tube.

WARNING



Bullard
1898 Safety Way
Cynthiana, KY 41031-9303
Toll free: 877-BULLARD (285-5273)
Tel: 859-234-6616
Fax: 859-234-8987
www.bullard.com

Bullard GmbH
Lilienthalstrasse 12
53424 Remagen
Germany
phone: 0049-2642 999980
fax : 0049-2642 9999829
www.bullard.com/europe

Bullard Asia Pacific Pte. Ltd.
LHK Building
701, Sims Drive, #04-03
Singapore 387383
Tel: (65) 6745-0556
Fax: (65) 6745-5176
www.bullard.com

