

Figure 1

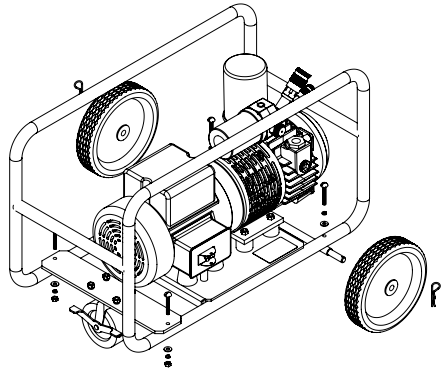


Figure 2

1. Hold one of the cross bars on the end and lift pump assembly to stand upright.
2. With a standard screw driver and wrench, remove the rubber feet.



NOTE:

Save the nuts and bolts.

3. Open the package from the kit and remove all parts from the bag.
4. Take the caster and attach to the caster support plate with the 4 3/16" hex nuts and bolts supplied (**Figure 1**).
5. Place the axle below the frame and attach it with the screws that formerly held the rubber feet.
6. Add the wheels with the offset hub toward the frame. Put the cotter pin on the outside of the wheels to hold them on (**Figure 2**).
7. Take the assembly of the caster and the plate and place on the inside of the frame. Use the last two screws from the rubber feet (and nuts and lock washers) to attach it to the frame.



©2011 Bullard. All rights reserved.

Americas:
E.D. Bullard Company
1898 Safety Way
Cynthiana, KY 41031-9303
Toll free: 877-BULLARD (285-5273)
Tel: 859-234-6616
Fax: 859-234-8987
www.bullard.com

Europe:
Bullard GmbH
Lilienthalstrasse 12
53424 Remagen • Germany
Tel: +49-2642 999980
Fax : +49-2642 9999829
www.bullardextrem.com

Asia-Pacific:
Bullard Asia Pacific Pte. Ltd.
LHK Building
701, Sims Drive, #04-03
Singapore 387383
Tel: +65-6745-0556
Fax: +65-6745-5176
www.bullard.com