



### Product Highlights

- CO and differential dew point sensors
- Removes oils, solid particles, water and unpleasant odors
- Respirator CFM and sensor flow alarms
- Visual and audible alarm warnings
- Datalog - OSHA compliance records
- Portable - battery operated, rechargeable

AirGuard is an innovative next-generation solution in portable air quality products. It integrates breathing air filtration with sensors for Carbon monoxide (CO) and differential dew point for both safety and breathing air comfort.

Designed with the user in mind, AirGuard has an external easy-to-read display to communicate threats beyond general audible alarm warnings. The display is readable from over 30 feet allowing for a quick response when AirGuard detects a hazardous situation. Using its menu-driven interface, AirGuard is easy to operate. It provides a system status upon power up and most importantly keeps track of the sensor and function status and calibration interval. The AirGuard data log records all the real-time sensor data, calibration events, and diagnostic data over time. This data is easily downloadable to a PC using the removable USB drive for operational record keeping and OSHA compliance reporting.

The AirGuard model AGD100HA has a 100 CFM capacity with 8 output connections for NIOSH approved supplied-air respirators. AirGuard has a state of the art three-stage air filtration system that removes oils, water, solid particles, and unpleasant odors.

### Ordering Information

Description	Part No.
AirGuard - 8 Worker, 100CFM with Hansen/Industrial Interchange Coupling	AGD100HA
Remote Alarm - Includes 100ft of cable	AGDRA
Calibration Kit - Includes Case, Regulator, Tubing, Quick Connector, 10PPM Cylinder and Zero Air Cylinder	AGDCK
Filter Replacement - 100CFM Filter Element Kit for all 3 stages of filtration	AGD50AND100FK

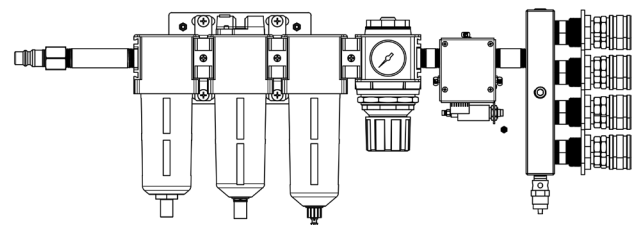
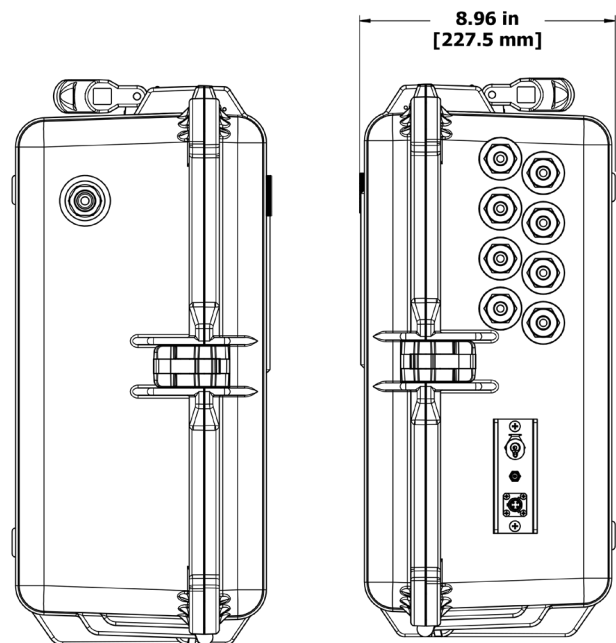
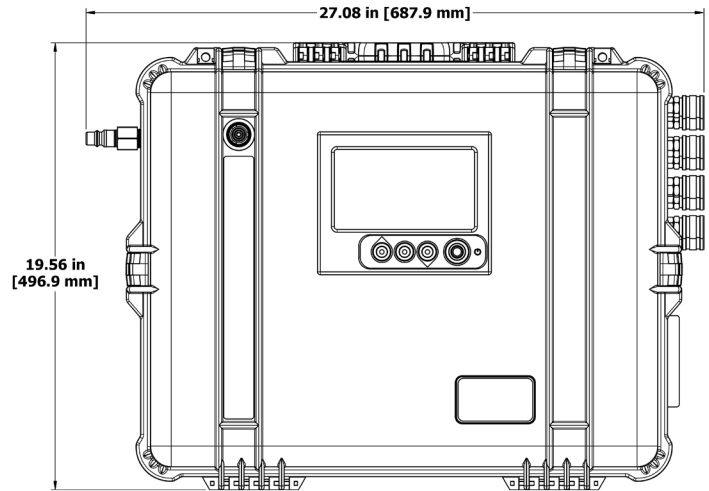
### General Specifications

<b>Display:</b>	Backlit, 7" diagonal color display
<b>Alarms:</b>	User programmable
<b>Air Flow Alarm Pt:</b>	Carbon Monoxide 5 or 10 PPM < 3 CFM
<b>Sensor Types:</b>	Carbon Monoxide 0 to 50 ppm Dew Point -20°F to ambient Flow Rate 0 to 100 CFM
<b>Sensor Accuracy:</b>	Carbon Monoxide: ±5% @ 10 ppm Dew Point: ±2°F @ 50°F
<b>Sensor Response Time:</b>	<60 seconds
<b>Keypad:</b>	3-button touch, weatherproof w/tactile feedback
<b>Battery Life:</b>	10-12 hours (typical)
<b>Data Logging:</b>	2 points per minute
<b>Data Storage Medium:</b>	USB memory stick
<b>Fittings:</b>	Hansen
<b>Inlet Pressure:</b>	Maximum 150 psi
<b>Total Air Capacity:</b>	Maximum 100 CFM
<b>Outlet Connection:</b>	Supplied with eight couplings
<b>Inlet Port:</b>	1/2 inch quick disconnect
<b>Filter Train:</b>	3-stages of filtration (5 micron, 0.01 micron, carbon adsorber)
<b>Weight:</b>	8-line: 34.0 lbs., 26.4" x 19.6" x 9.0"
<b>Warranty:</b>	2 years on sensors and monitor
<b>Agency Approval:</b>	UL 61010 U.S. CSA C22.2#61010-1 CA

### Optional Models Available:

- 15 CFM One Coupling
- 30 CFM Two Couplings
- 50 CFM Four Couplings

### Dimensions



**Bullard Center**  
2421 Fortune Drive  
Lexington, KY 40509 • USA  
877-BULLARD (285-5273)  
Tel: +1-859-234-6616  
Fax: +1-859-246-0243

**Americas Operations**  
1898 Safety Way  
Cynthiana, KY 41031 • USA  
877-BULLARD (285-5273)  
Tel: +1-859-234-6616  
Fax: +1-859-234-8987

**Bullard GmbH**  
Dieselstrasse 8a  
53424 Remagen • Germany  
Tel: +49-2642 999980  
Fax: +49-2642 9999829

**Bullard Asia Pacific Pte. Ltd.**  
51 Changi Business Park Central 2  
#03-04 The Signature  
Singapore 486066  
Tel: +65 6745 0556



©2020 Bullard. All rights reserved.